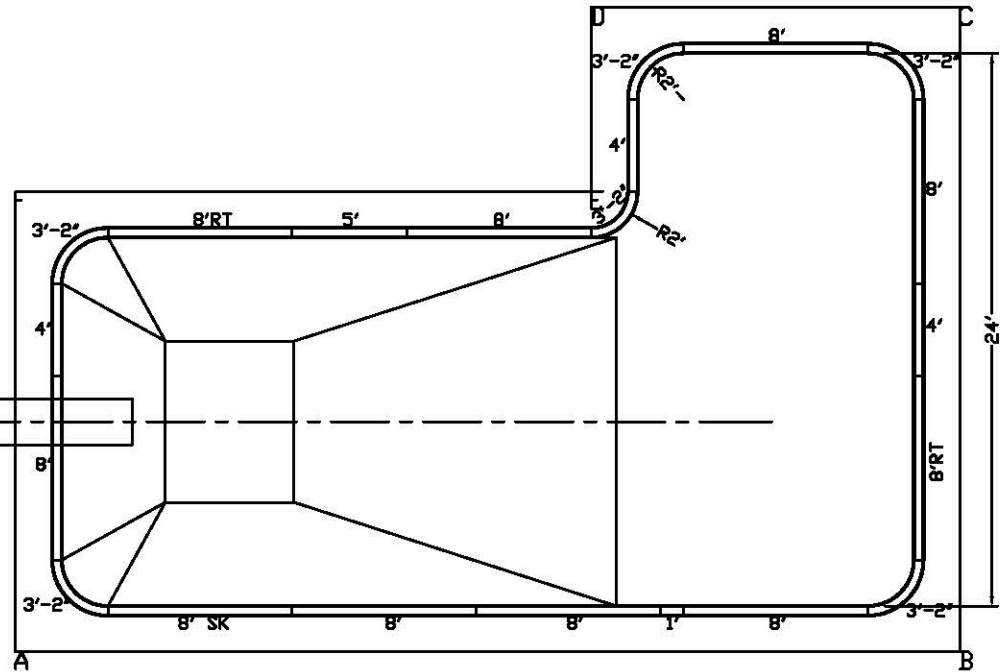


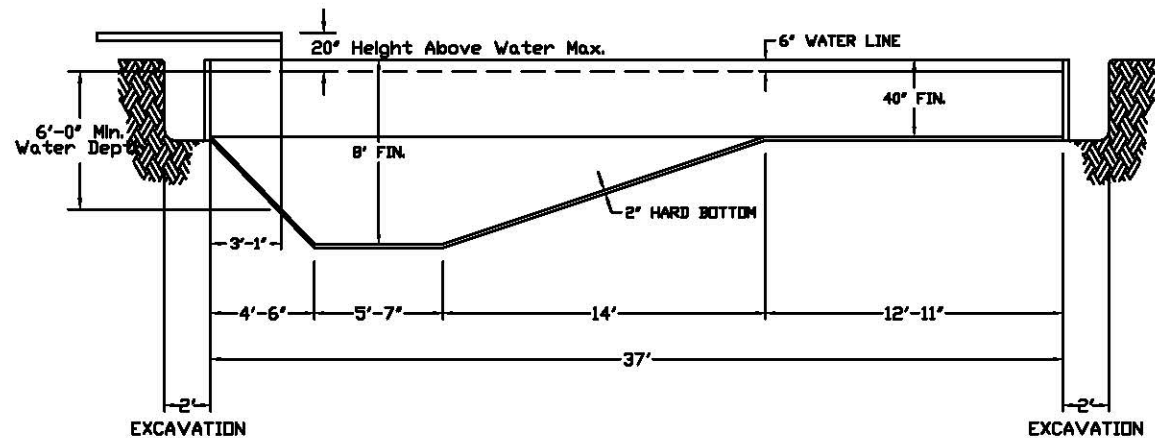
Max. Length of Diving Board 8'
Jump Board 6'



STAKE OUT	
A-C	49'-7 3/4"
A-E	32'-0 1/8"
B-D	32'-3"
B-E	25'-7 3/8"
B-F	45'-7 3/8"
C-E	17'-10 5/8"

Polymer pool kits have maximum 6' panel length

N.S.P.I. TYPE II DIVING



Classic Series
 RoyalSwimmingPools.com
 877-602-7067

16x37x24 SQUARE-L Right

DRAWN BY: NM	Revisions	PER: 116' -10"
DATE: 02/02/2007	1	S.A.: 684, 566 ft ³
SCALE: NTS	2	VOL: 1
DRAWING NUMBER:	APPROVED:	
ALP1637RSL207		